

CCM Gas Engine control

multi cylinder combustion control for marine and stationary Gas Engines

Characteristics

- Cylinder balancing
- Knock detection
- Misfire detection
- Thermodynamic parameters
- Easy integration to controller



Combustion Control Module (CCM)

Application:

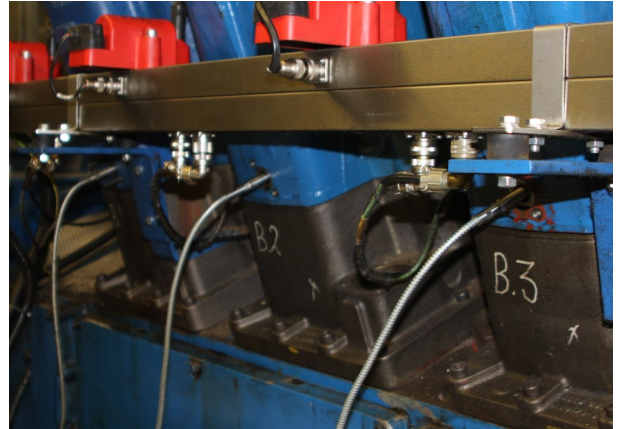
- 4 stroke marine and stationary Gas Engines up to 1800 RPM

Technical data

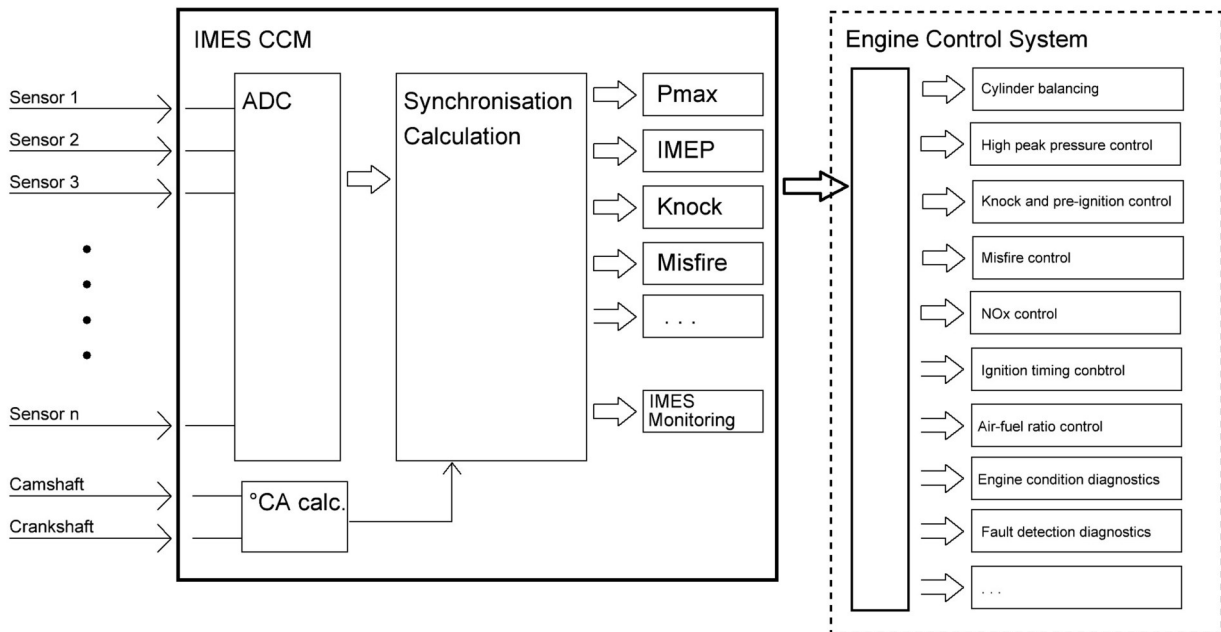
| | |
|---|--|
| Combustion Control Module (CCM) | |
| Multichannel data acquisition unit | 12 analogue inputs for pressure 4 ... 20mA, max. sampling resolution 0,1°CA ADC resolution: 12 bit CAN J1939 SAE standard interface Fast Ethernet LAN Interface 100MBits/s |
| Cylinder pressure sensor HTT-04CA® | |
| Marine classification | Bureau Veritas DNV-GL American Bureau of shipping Lloyd's Register NK Class China Classification Society |
| ATEX type approval | Group II, Category 3G |
| CSA type approval | 2572163 |
| Cylinder pressure sensor CPS-01CA® | |
| Marine classification | DNV-GL China Classification Society Class NK |

By continuously analysing combustion parameters of every cylinder, combustion control module (CCM) enables instant detection of combustion knock, misfire, Peak pressure and IMEP.

Operation parameters can be adjusted immediately to achieve the best possible power and performance irrespective of the gas quality.



CPS-01CA[®] sensor installed on a gas engine



Functions of CCM and Engine Control system

Scope of supply

CCM incl. firmware

- CCM mounted in Alu -housing for 1...12 cylinder incl. connectors:
1 x CAN Bus, 1 x LAN/Ethernet, 1 x 24 VDC, 2 x pulse
- Firmware

Order no.

IW-8100

Sensors , cable and terminal box

- | | |
|--|---------|
| - Terminalbox 1...12 cylinder incl. 10m cable and connector to CCM | W-8003 |
| - HTT-04CA [®] sensor range 0...300 bar | IW-6242 |
| - CPS-01CA [®] sensor range 0...300 bar | IW-5932 |
| - FPS-01CA sensor range 0...300 bar | IW-6104 |
| - Sensor connecting cable 5 m | IW-4132 |
| - Sensor connecting cable 10m | IW-4133 |