

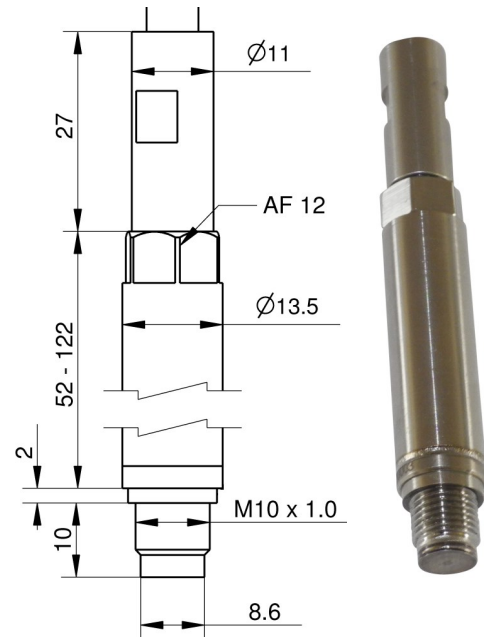
Front membrane pressure sensor FPS-01CA

for pressure control on engines

Front membrane pressure sensor for continuous measurement of cylinder pressure on two- and four stroke engines. (24h per day / 365 days per year)

Characteristics

- Sensor designed for diesel-and gas engines
- Digital electronic with event storing
- Very good thermodynamic performance
- Marine classification in preparation



Application:

Permanent installation for engine control.

Technical Data

| | |
|---------------------------------|--|
| Measuring range pressure | 0...300 bar |
| Over pressure static | 400 bar |
| Frequency range | 10 kHz |
| Thermal shock 1500 RPM pmi=9bar | < +/- 0,5 bar |
| Accuracy | ≤1% Full scale |
| Temperature range of SCU | -40 °C ... + 75 °C |
| Supply voltage | 18...32 VDC, on request 5VDC |
| SCU current consumption | ≤50 mA (continuous operation); 250 mA (switch-on peak) |
| Output signal range | 4...20 mA, on request 0,5...4,5 V |
| Electrical connector | MIL-C-26482 |
| Thread | M10 x 1 |
| Dimension sensor | 52 —122 mm , Ø 13,5 mm |
| Dimension electronic | 138 mm x Ø 18 mm |
| Tightening torque | 15 Nm |
| Weight incl. electronic | 252 g |

General specifications

| | |
|----------------------|--|
| Degree of protection | IP 67 (EN 60529) |
| CE approval | 2004/1008/EG EN 61000-6-2 EN 61000-6-4 EN 61326-1 |

The robust type FPS-01CA sensor for continuous measurement of cylinder pressures on two- and four stroke engines offers outstanding longevity and constant sensitivity.

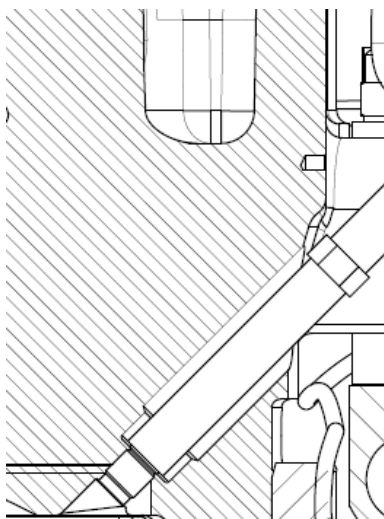
Cylinder pressure measurements can be made with high precision because of its very good thermodynamic characteristics.

Mounting

The sensor should be installed close to the combustion chamber, the length of the pressure bore between sensor and combustion chamber depends mainly on engine speed.

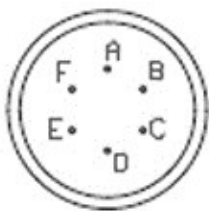
Generally there are two possibilities for the installation position of cylinder pressure sensors:

Head mounted or set-back mounted.



Head mounted installation near to combustion chamber

Connector



A = Power supply 18 - 32 V

B = Pressure signal output 4...20mA

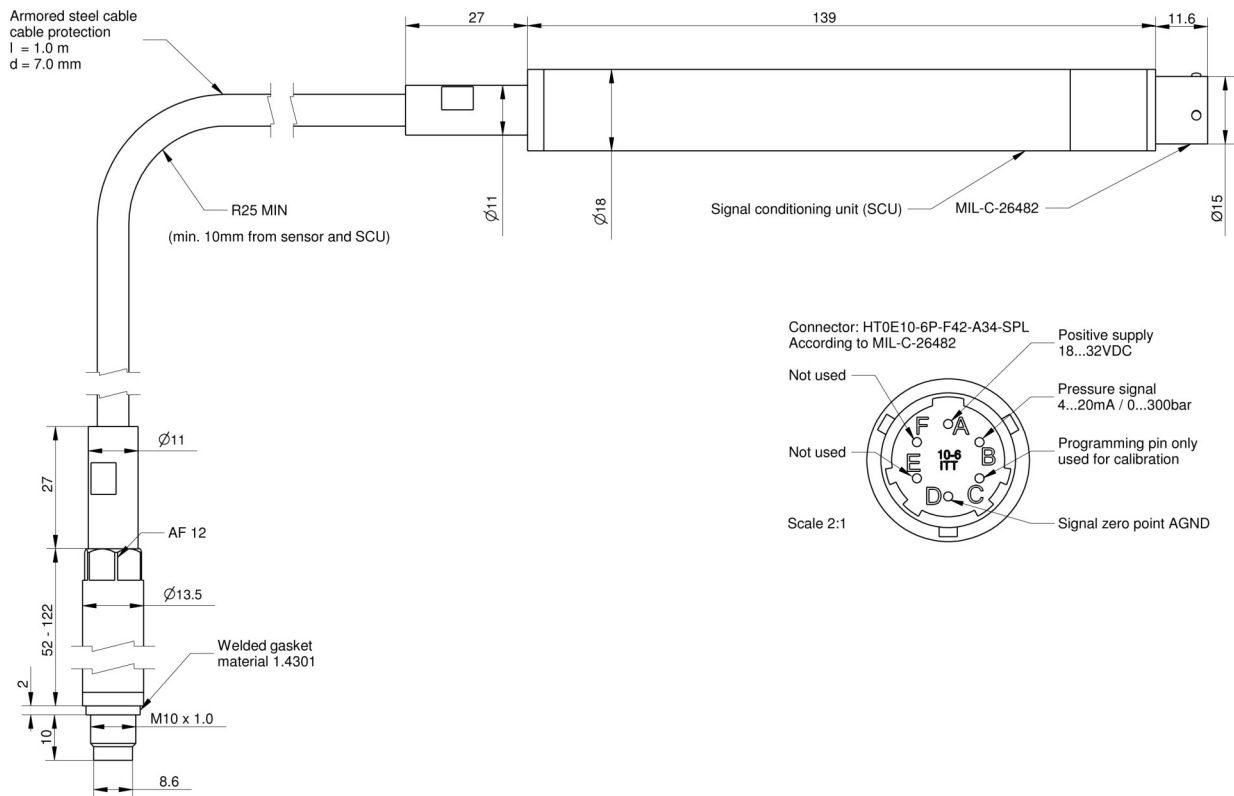
D = Signal zero point / Power GND

C = Programming pin, only used for calibration

E, F not connected



The closed face makes the sensor immune to sooting



Scope of supply

- FPS-01CA length housing sleeve 52 mm
- FPS-01CA length housing sleeve 122 mm
- Protection cover
- Connecting cable 5m
- Connecting cable 10 m
- Connecting cable 20 m

Part No.

- IW-6282
- IW-6283
- IW-6211
- IW-4132
- IW-4133
- IW-4130