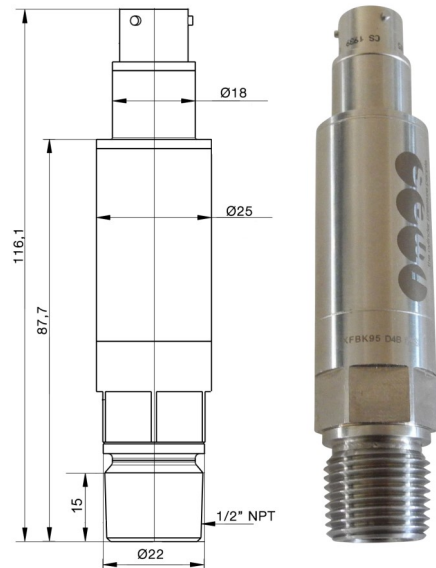


## Compression pressure sensor HTT-05CA®

*Temperature compensated pressure sensor for measurement on compressors*

### Characteristics

- SGS Certified for use in hazardous area
- Class 1, Division 1, Groups A-D
- Class 1, Division 2, Groups A-D
- Temperature compensated pressure signal
- Medium temperature -55°C - +200°C
- Very good zero offset stability
- Application in areas with with special gases like H<sub>2</sub> and H<sub>2</sub>S is in preparation

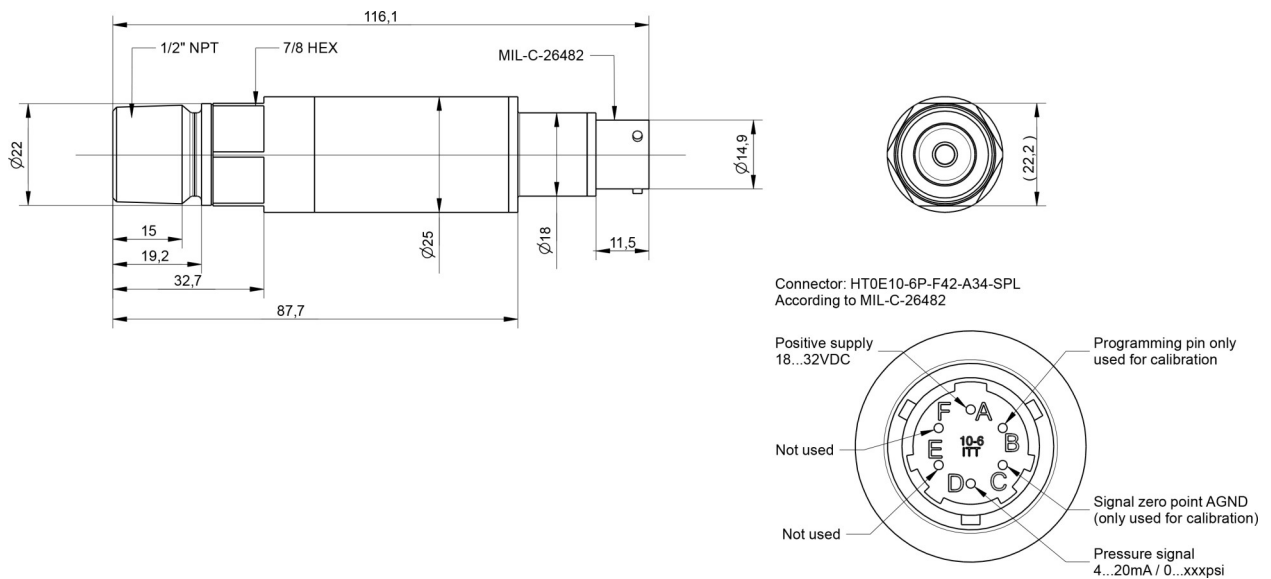


### Technical data

Measuring range pressure	0...300-, 0...500-, 0...1000-, 0...2000-, 0...3000-, 0...5000 psi. Others on request
Proof pressure	2 x FS range
Burst pressure	3 x FS range
Output signal	4...20 mA (2-wire)
Compensated medium temperature range	-40...125 °C
Max. medium temperature	-55...200 °C
Frequency range	2.2 kHz (others on request)
Accuracy	0.35% FS
Zero shift	+/- 0.5% FS
Sensitivity shift	+/- 0.5% FS
Supply voltage	250 $\Omega$ load: 14 – 28 VDC 500 $\Omega$ load: 19 – 28 VDC
Electrical connector	MIL-C-26482 (6-pin bayonet)
Thread	½ in NPT
Dimension sensor	25 x 116 mm
Tightening torque	40 Nm
Fluid (Gas or Liquid) types	Most non-corrosive fluids (list available up- on request)
Vibration	50 g's pk-to-pk
Weight incl. electronic	141 g

## Environmental Certifications

Hazardous areas	Class I, Div 1, Groups A-D (with Zener barrier) Exia IIC T4 @ Ta = -40 to +121 C AExia IIC T4 @ Ta = -40 to +121 C Class I, Div 2, Groups A-D EX ic IIC T4 DIV2 CL1 GR A-D AExnA IIC T4 @ Ta = -40 to +121 C
CE approval	2014/30/EU EN 61000-6-2 EN 61000-6-4 EN 61326-1
SGS approval	SGSNA/21/CA/00008X
Dust & Immersion	IP 67



Product No.	Pressure range	Static overpressure
IW-6330	0 - 300 psi	600 psi
IW-6331	0 - 500 psi	1000 psi
IW-6332	0 - 1000 psi	2000 psi
IW-6336	0 - 2000 psi	4000 psi
IW-6337	0 - 3000 psi	6000 psi
IW-6338	0 - 5000 psi	10000 psi