

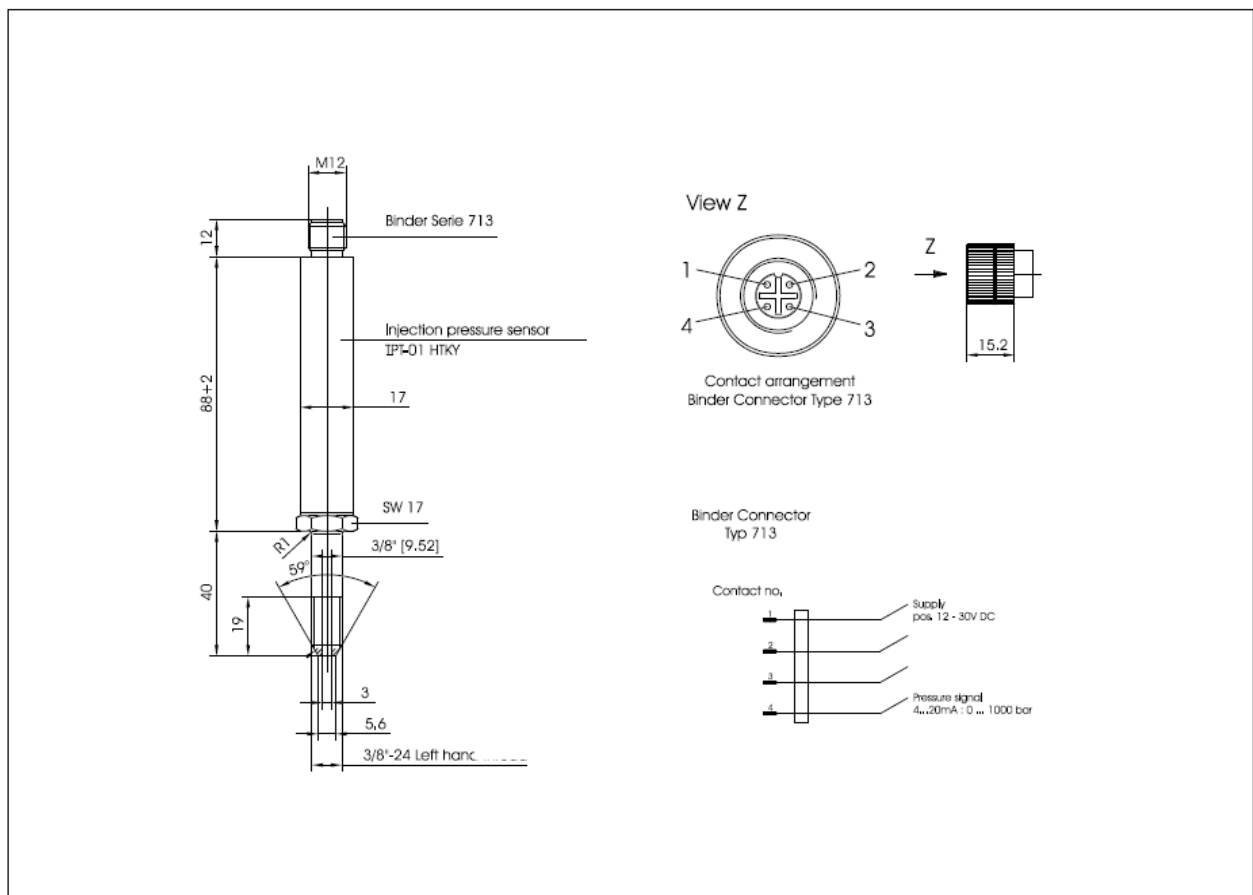
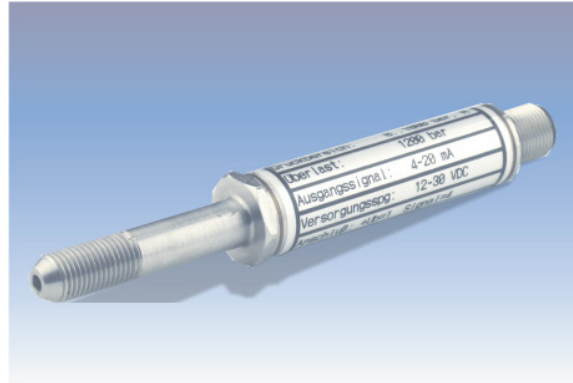
Compression Pressure Sensor IPT-01HTKY

for injection monitoring on Diesel engines

- High pressure thread connection
- Designed for butech valves
- High medium temperature

Application:

- For pressure measurements in hydraulic systems
- Fuel injection pressure measurements on pumps of two stroke Diesel engines





High pressure sensor designed for pressure measurements in hydraulic systems;
e.g.: fuel injection pumps of Diesel engines.

The IPT-01 HTKY sensor is special designed for injection pressure measurement on butech valves.

Technical-data Injection pressure sensor IPT-01HTKY

Measuring range pressure	0...1000 bar, other ranges available
Overload pressure	1600 bar
Linearity	typ. 0.2% FS
Repeatability	0.1% FS
Thermal effect on zero	typ. 0.2% FS/10K
Thermal effect on span	typ. 0.1% FS/10K
Dynamic long term stability	+/- 1% FS per year
Operating temperature	max. 125°C
Excitation voltage	11.5...30 VDC
Output signal	4...20 mA, 0...10 V
Electrical connection	M 12 -Plug connection
Pressure connection	M14 x 1,25 , other threads available
Dimension	88 x Ø 17; SW 17 mm
Tightening torque	30NM
Weight	100g

Scope of supply	Part no.	Accessories	Part-No.
IPT-01HTKY	IW 5500	Cable length 5, 10, 15, 20, 25m	IW 4120...24